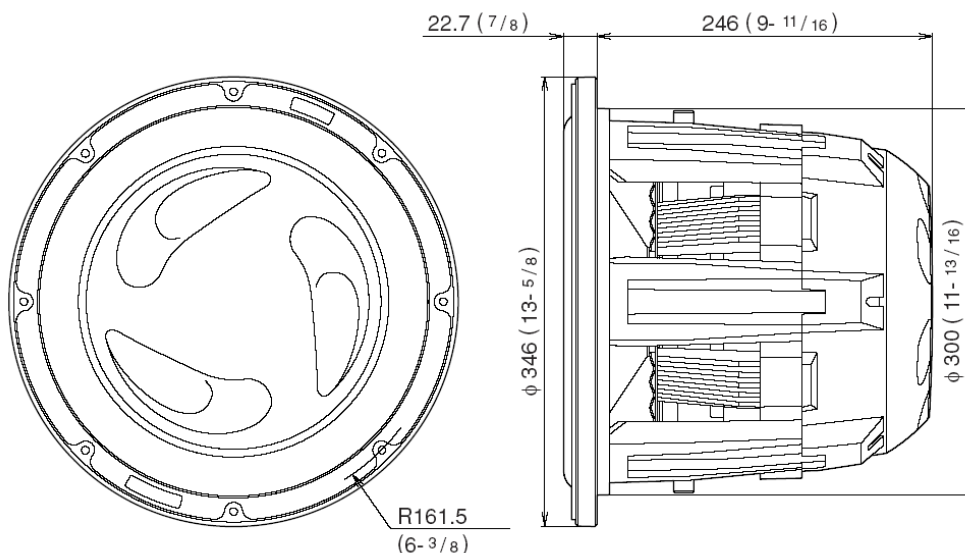


KFC-WPS1300D

Specifications

	KFC-WPS1300D
Subwoofer	346 mm (13") PBO Cone type
Nominal Impedance	3 Ω + 3 Ω
Peak Input Power	2,000 W
Rated Input Power	500 W + 500 W
Sensitivity	82 dB/W at 1 m
Free Air Resonance	30 Hz
Frequency Response	17 Hz ~ 1 kHz
Dimensions	
Diameter	346 mm (13.6")
Depth	268.7 mm (10.6")
Mounting Depth	246 mm (9.7")
Net Weight	18.0 kg (39.7lb)
Supplied Parts	Screw ø 6 - 30 × 8 Gasket Tape × 1

Dimensions

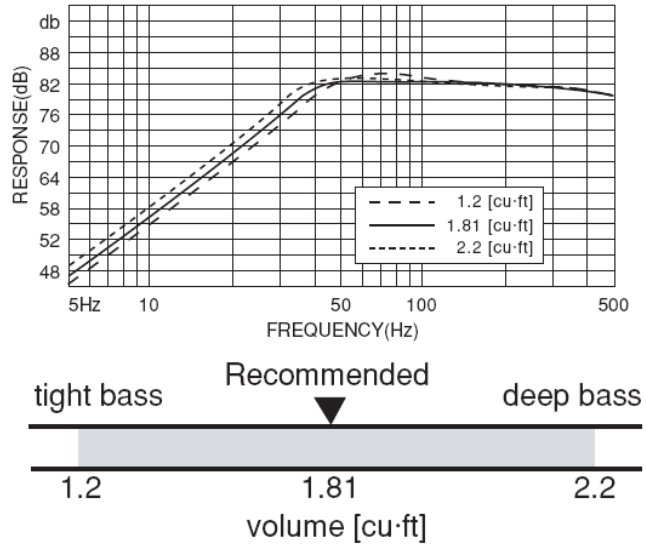
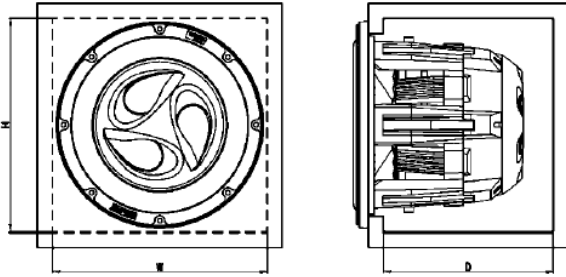


Technical specifications

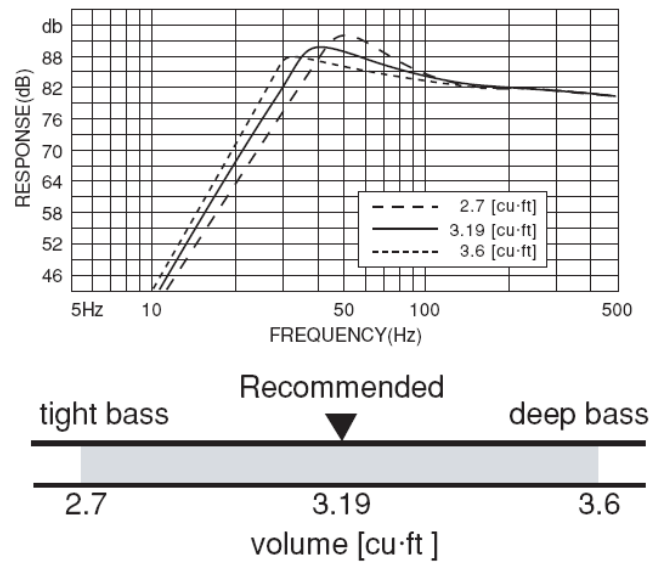
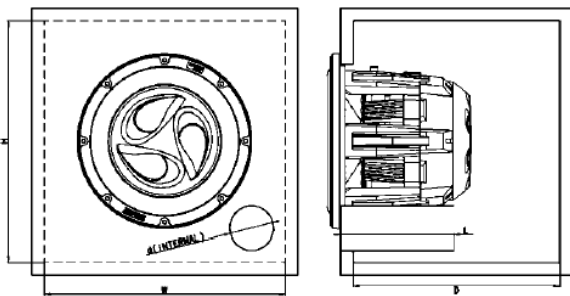
	SIGN	VALUE	UNIT
Nominal Impedance	Z	3+3	Ω
DC Resistance	Re	2.6+2.6	Ω
Voice Coil Inductance	Levc	0.7	mH
Piston Area	Sd	0.0570	Sq·m
Force Factor	BL	22	T·m
Volume Acoustic Compliance	Vas	55	liter
		1.945	cu.ft
Moving Mass	Mms	270	g
Resonant Frequency	Fs	30	Hz
Mechanical Q Factor	Qms	4.03	
Electrical Q Factor	Qes	0.52	
Total Q Factor	Qts	0.46	
Peak Excursion	Xmax	13	mm
Peak Power Handring		2,000	W
RMS Power Handring		500+500	W
Sensivity (1 W/1 m)		82	dB
Displacement		13	CC
		0.46	cu·ft
Mounting Depth		246 (9-22/32)	mm (in.)
Weight of Magnet	M	4,960 (175)	g (oz.)
Voice Coil Diameter	d	80 (3-5/32)	mm (in.)

Recommended Enclosures

SEALED



PORTED



Recommended Enclosures (including woofer displacement)

*W, H, D.....External Dimensions

MODEL NAME	VOLUME	W	H	D	MOUNTING HOLE	PORT DIAMETER D	PORT LENGTH L	DISPLACEMENT
KFC-WPS1300D	1.81	400 (15.75")	400 (15.75")	320 (12.6")	305 (12")	SEALED	SEALED	0.46
	3.19	600 (23.62")	450 (17.71")	335 (13.19")		φ102 (4.0")	178 (7.0")	
(unit)	cu-ft	mm (in.)						cu-ft

Use 21 mm (3/4 inch) thick Medium Density Fiberboard (MDF) or High Density Particleboard.